

**Expert Advice. Great Value. Contact Us Today!**

**Call:** 203-647-9147 **Email:** sales@haywardts.com

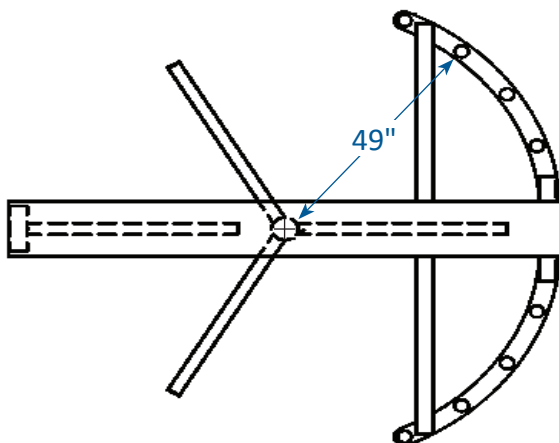
**Website:** www.haywardts.com

**SecureTurn HT448  
Extra Wide Passage**

**Full height for maximum security.  
Heavy-duty construction lasts a lifetime.**



**SecureTurn HT448 (Extra Wide Passage)**



See back for detailed  
dimensions and specifications.

**Applications:**

The SecureTurn HT448 extra wide passage full height turnstiles are designed and engineered to meet all your security and access control requirements. Wherever control of pedestrian traffic is necessary, these full height turnstiles will perform flawlessly. Used as either stand alone units or as part of a fully integrated security control package, these quality turnstiles will fit your needs and your budget.

**Materials and finishes available in:**

- Hot Dip Galvanized Steel
- Powder Coat over Steel
- 304 Stainless Steel

**Other single passage models in this series:**

SecureTurn HT431 Standard Passage 31"

SecureTurn HT439 Wide Passage 39"

**Double passage models in this series:**

SecureTurn HT430T tandem size for standard passage consists of (2) SecureTurn HT430 in a space saving layout.

**About Hayward Turnstiles:**

Hayward Turnstiles offers the best value and service in the access control industry. Choose from our SecureTurn, FastTurn, EntryGate or EZ Lane industry leading product lines.

In addition to turnstile and crowd control products, we offer design assistance for new installations, as well as custom fabricated devices.

Hayward Turnstiles is an industry leading turnstile manufacturer and provides expertise in access control systems worldwide.

**Expert Advice. Great Value. Contact Us Today!**

**Call:** 203-647-9147 **Email:** sales@haywardts.com

**Website:** www.haywardts.com

## HT448 Specifications

### Applications:

The SecureTurn HT448 extra wide passage full height turnstiles are designed and engineered to meet all your security and access control requirements. Wherever control of pedestrian traffic is necessary, these full height turnstiles will perform flawlessly. Used as either stand alone units or as part of a fully integrated security control package, these turnstiles will fit your needs and budget.

### Product Features:

Materials and finishes in your choice of:

- Hot dipped galvanized steel
- Powder Coat over steel
- 304 Stainless Steel

### Design & Construction:

- Designed for secure operations with aesthetics in mind
- Choice of right or left handed direction
- Fully welded exterior components
- Heavy-duty lifetime construction

### Turnstile Operation:

- Self centering mechanism with hydraulic shock suppression
- Permanently lubricated bearings
- Clockwise, counter clockwise, or bidirectional passage

### Options:

- Electronic locking module featuring heavy-duty 24 VDC solenoids and card reader interface
- Fail-Safe (*free passage on power failure*)
- Fail-Lock (*locked passage on power failure*)
- Interfaces with card readers, biometrics, wireless remotes, push button, metal detectors, etc...
- Card reader mounting plates
- Electronic six digit resettable counter with LCD display and ten-year lithium battery
- Manual key override (*both directions*)
- Red/Green indicator lights
- Heel pad arm covers
- Additional options available upon request

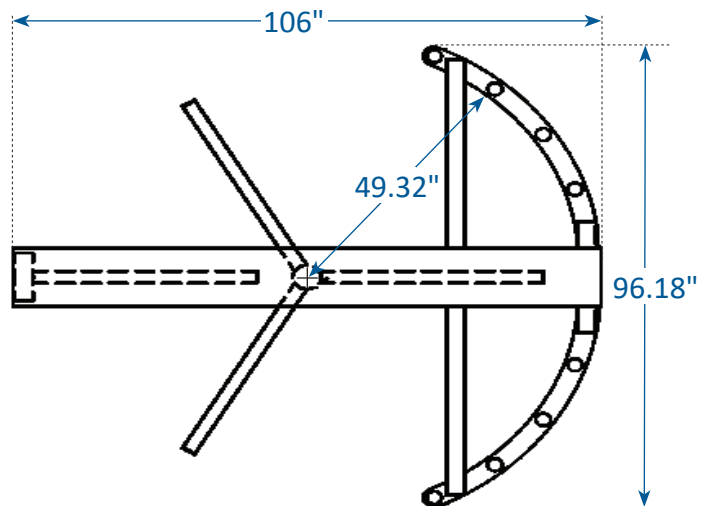
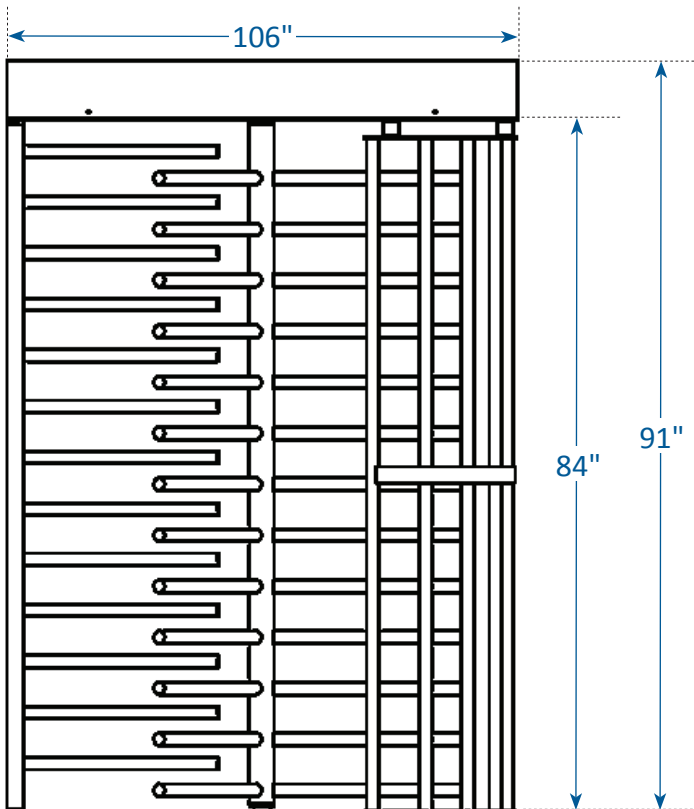
### Electrical Specifications:

Power supply input 100-240VAC (.7 amp) 50/60hz output 24VDC (1.1 amp) All components UL recognized

### Warranty:

Units are warranted against defects in materials and workmanship for a period of one year from date of delivery. See warranty information for specific details.

## HT448 Dimensions



**Expert Advice. Great Value. Contact Us Today!**

Call: 203-647-9147 Email: sales@haywardts.com

Website: www.haywardts.com

**HAYWARD TURNSTILES, INC.**  
160 Wampus Lane, Milford CT 06460