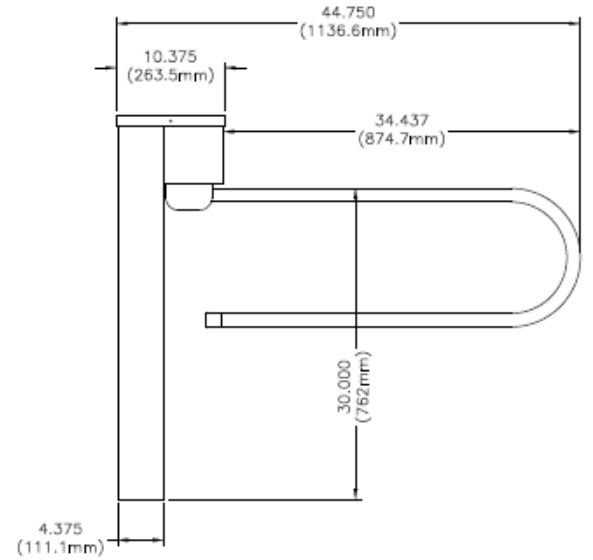
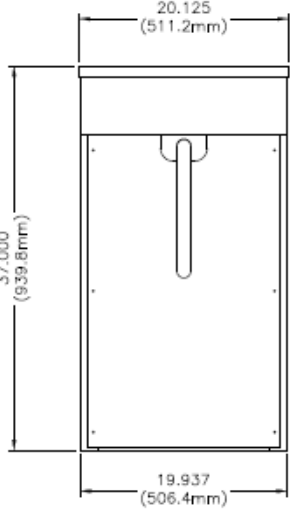
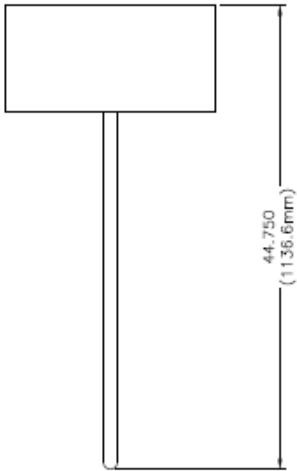




REVISIONS

| ZONE | REV | DESCRIPTION | DATE | APPROVED |
|------|-----|-------------|------|----------|
|------|-----|-------------|------|----------|



Unless Otherwise Specified All Dimensions are in Inches

This drawing is to show dimensions of our products and should not be taken as a final visual representation. Drawings not to scale.

This drawing is the property of Hayward Turnstiles Inc., and contains proprietary information, it may not be copied, reproduced or transmitted in any manner to a third party without prior written permission of Hayward Turnstiles Inc.

Material:

Finish:

Hayward Turnstiles, Inc

LC150 ADA Gate Dimensions

| | | | | |
|-------|----------|---------|-----------|-----|
| SIZE | FSCM NO. | DWG NO. | LC150 ADA | REV |
| SCALE | None | SHEET | | |

