

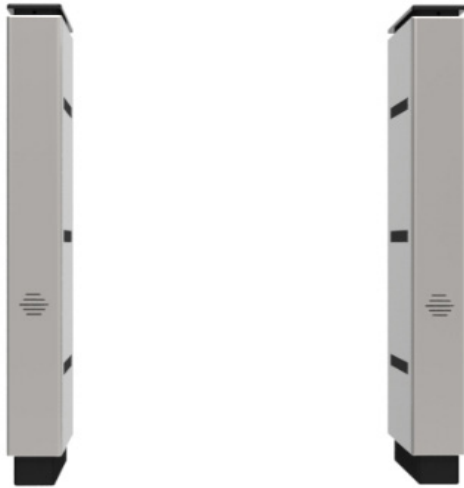
Expert Advice. Great Value. Contact Us Today!

Call: [203-647-9147](tel:203-647-9147) Email: sales@haywardts.com

Website: www.haywardturnstiles.com

ClearPass CP2000
Barrier-Free Counting

Compact Cabinet Design • TCP/IP Enabled • Bi-directional People Counting
Ships Assembled



ClearPass CP2000

(28" Standard Opening with Optional 36" ADA Opening)



Narrow Profile Cabinets
(Cabinets Just 4" Wide)

The CP2000 is a patron counting turnstile, but updated for the information age. This barrier-free patron counting turnstile uses a sophisticated optical beam array to detect and count passing patrons in either one or both directions. The CP2000 can even sound an alarm when passage in the incorrect direction is detected, adding an extra layer of protection for your access control system.

This compact and modern counting turnstile is a TCP/IP enabled device, allowing it to instantly communicate data with other networked devices. In the event that networking installed CP2000s is not desirable or too complex, the turnstile can also output counting information in the form of a dry contact.

The CP2000's included browser-based configuration software transforms any networked device with access to a web browser (PC, smartphone, tablet, laptop) into a remote lane configurator. Instead of plugging into individual turnstile lanes, simply use your personal device to install software updates and access your CP2000's core settings.

Step up your analytics and monitoring with our optional ClearCount browser-based software. ClearCount integrates remotely with any networked CP2000, instantly pulling counting information to provide entry numbers, exit numbers, in-venue totals, and more all in a clean and modern interface with extensive reporting capabilities.



Modern design blends with any lobby
(Cabinet Finish and Lid Color Options Available)

Need Installation?

Our Hayward Turnstiles access control specialists can coordinate installation with someone from our nationwide database of certified partner installers. Our partner installers are willing to provide you with an entire turn-key quote where they will handle purchasing, delivery, installation, and integration for you.

Applications:

The ClearPass CP2000 is a barrier-free optical turnstile used for patron counting and room capacity monitoring. Theme parks, museums, casinos, stadiums, and more all benefit from the precise counting information that comes with employing a CP2000 counting turnstile on premise.

STANDARD FEATURES

Instant communication with our browser based configuration software is achieved with our TCP/IP enabled counting turnstiles. Single direction or both direction counting is also a standard feature while onboard alarms alert of wrong way access.

Optical Detection:

Integrated optical sensors for high accuracy detection of pedestrians.

Throughput/Capacity:

Up to 60 passages per minute for fast user throughput.

Premium Cabinet Construction:

Cabinets are fabricated from #304 stainless steel polished to a #4 satin finish with a Livingstone solid surface lid.

Audible Alerts:

Audible alarms alert of passage in the wrong direction.

Bi-Directional Access

Can be set up for single or bi-directional access counting.

Easy Lane Configuration:

- Browser-based lane configuration from any networked device
- Onboard Ethernet port for direct access to lane configuration

Easy Installation:

Each CP2000 ships fully assembled for easy installation on site. The CP2000 can be used indoors or for select outdoor installations.

OPTIONS

ClearCount Browser-Based Counting Software:

Use our clean and modern interface to check attendance counts at a glance remotely from your networked device.

Lane Mounting Platform (for above floor wiring):

Cabinet is mounted on pedestal base to minimize drilling into floor.

Alternate Lid Colors and Materials:

Lids provided in your choice of any available solid surface color.

Alternate Cabinet Colors and Materials:

Powder coated and plated cabinets available in a multitude of colors.

External Power Supply Enclosure:

Portable enclosure for remote installation of CP2000 power supply. Enclosure houses 3 power supplies (one per turnstile lane).

Count Controller:

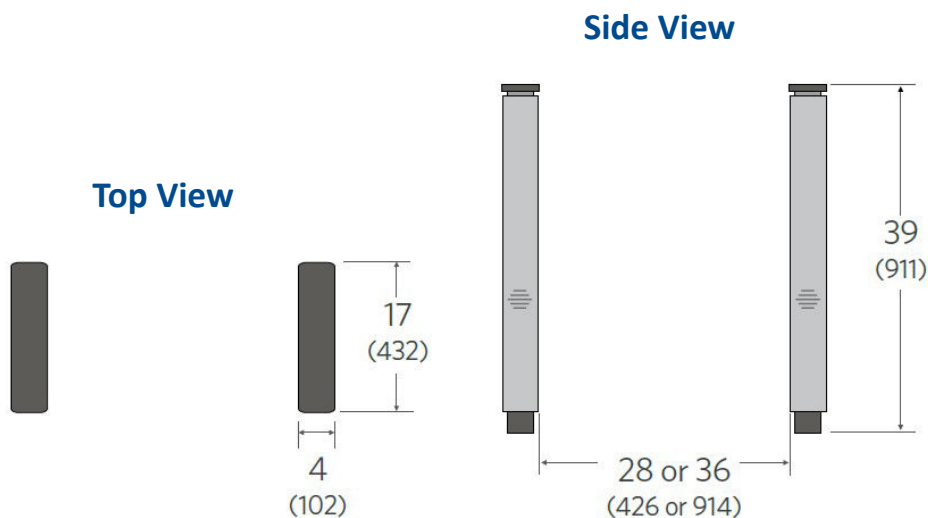
This controller accepts dry contact count data and communicates it to other devices via RS-485 or over a TCP/IP network.

Wall Display:

Counting information outputs from the CP2000 can be projected on a large four-digit wall display. This option requires the count controller which communicates with the display via RS-485.

Power Requirements

110-120VAC (with use of 220-240VAC available as an option)



Dimensions shown in inches (mm).