

Expert Advice. Great Value. Contact Us Today!

Call: [203-647-9147](tel:203-647-9147) Email: sales@haywardts.com

Website: www.haywardturnstile.com

**FastTurn LC100P (Portable)
Black or Stainless**

Highly Affordable • Easily Portable • USA Made • Low Maintenance



FastTurn LC100P (Black finish)



FastTurn LC100P (Stainless)

Simple and Portable:

The LC100P FastTurn waist high turnstile is one of the best selling portable turnstiles on the market. With installations at top amusement parks and stadiums all across the country, the LC100P has solidified its spot as one of the most rugged and trustworthy waist high portable turnstiles available because of its low maintenance design and its highly attractive price point.

The LC100P features a baseplate, handle, and wheels that allow it to be easily wheeled from location to location at a moment's notice. You don't see very many "set it and forget it" products in the access control industry, but the LC100P is one of the rare examples that can quite literally be wheeled into place and start operating right away.

Materials and finishes available in:

- Black powder coat
- 304 Stainless Steel

Other single passage models in this series:

FastTurn LC100 Black or Stainless (*Entry-Level Value*)

FastTurn MR100 Stainless (*Mid-Level Value*)

FastTurn MR200 Stainless (*Premium Value*)

About Hayward Turnstiles:

Hayward Turnstiles is a family owned manufacturer and distributor of turnstiles and security gates in Connecticut with over 50 years of precision manufacturing success.

Here at Hayward, customer service and a stress-free ordering environment are our primary goals. The members of our sales team act as your personal access control specialists. They take the time to learn about your specific project needs to ensure that you are matched with the products that best fit your job requirements.

To aid in your decision making process, we offer access control advice, design assistance, same-day quotations, and can even coordinate installation by putting you in contact with an installer from our national network of certified partner installers. We go the extra mile so you don't have to.

See next page for
dimensions and specifications.

FastTurn LC100P Specifications

Applications:

The FastTurn LC100P is the perfect waist high portable turnstile for any scenario that involves changing traffic flows or changing access points. The LC100P is commonly used at amusement parks, stadiums, event venues, and more because of their inherently changing traffic flows and their need for access control at different locations based on events.

Fitted with digital counters, the LC100P can also become a portable counting solution. Wheel you LC100P to different access points to gather valuable admissions data and when you are done, wheel it to the next entrance to continue your analysis.

Design & Construction:

- Simple classic and functional design for secure operations
- Heavy duty steel locking bars, cam, and roller assemblies
- Stainless steel arms and lid
- Strong and durable to last a lifetime of use

Product Features:

- Portable
- 304 Stainless Steel

Turnstile Operation:

- Single direction or bi-directional passage
- Self-centering control head with hydraulic shock suspension

Options:

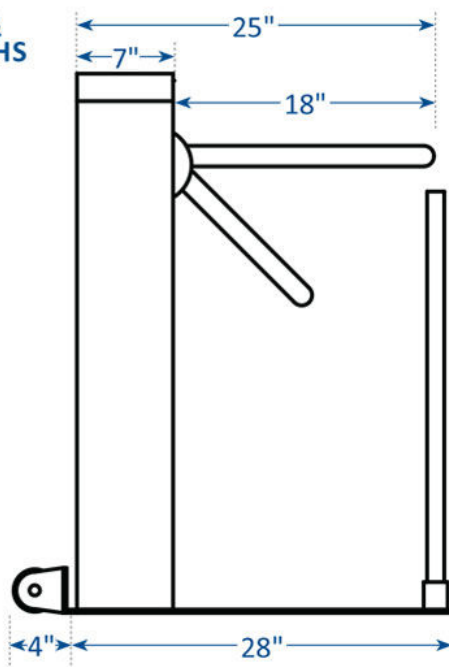
- Electronic six digit resettable counter with LCD display and ten-year lithium battery
- Additional options available upon request

Warranty:

Units are warranted against defects in materials and workmanship for a period of one year from date of delivery. See warranty information for specific details.

FastTurn LC100P Dimensions

CABINET & ARM LENGTHS



CABINET PROFILE

